

Fold a Cover[®] / LS series

Built for your lifestyle

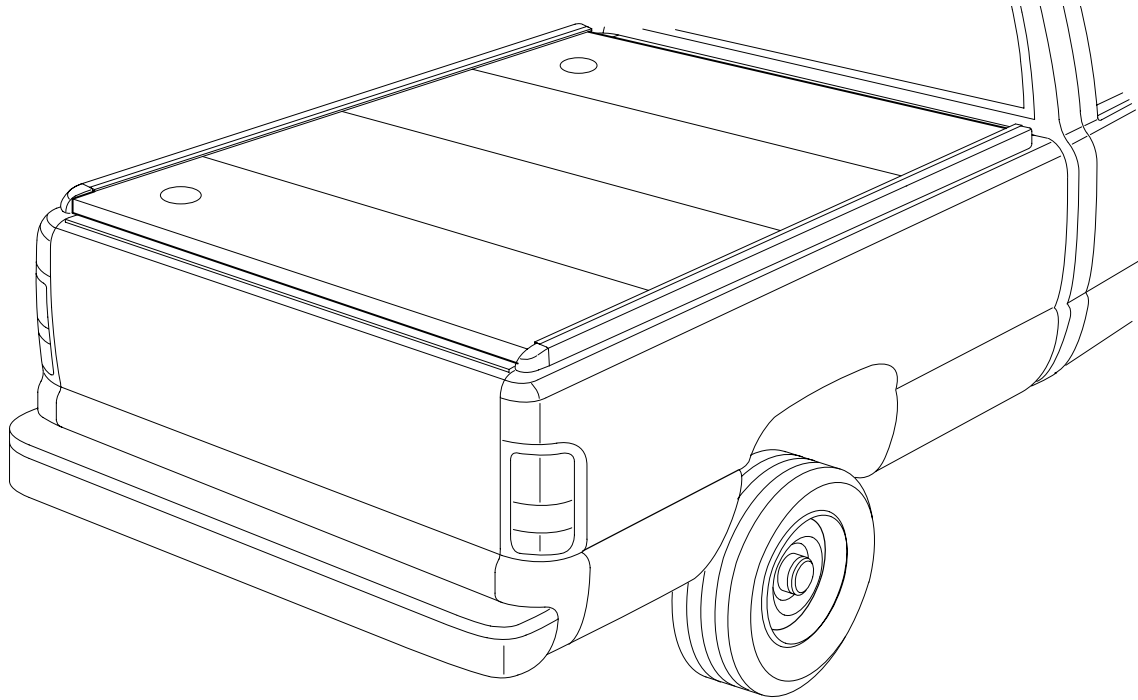
A Division of Steffens Enterprises, Inc.

4045 Karona Ct. • Caledonia, MI 49316

(616) 656-6886

Fax (616) 656-3771

HARD FOLDING TONNEAU COVER INSTALLATION INSTRUCTIONS - WITHOUT STAKE POCKETS.

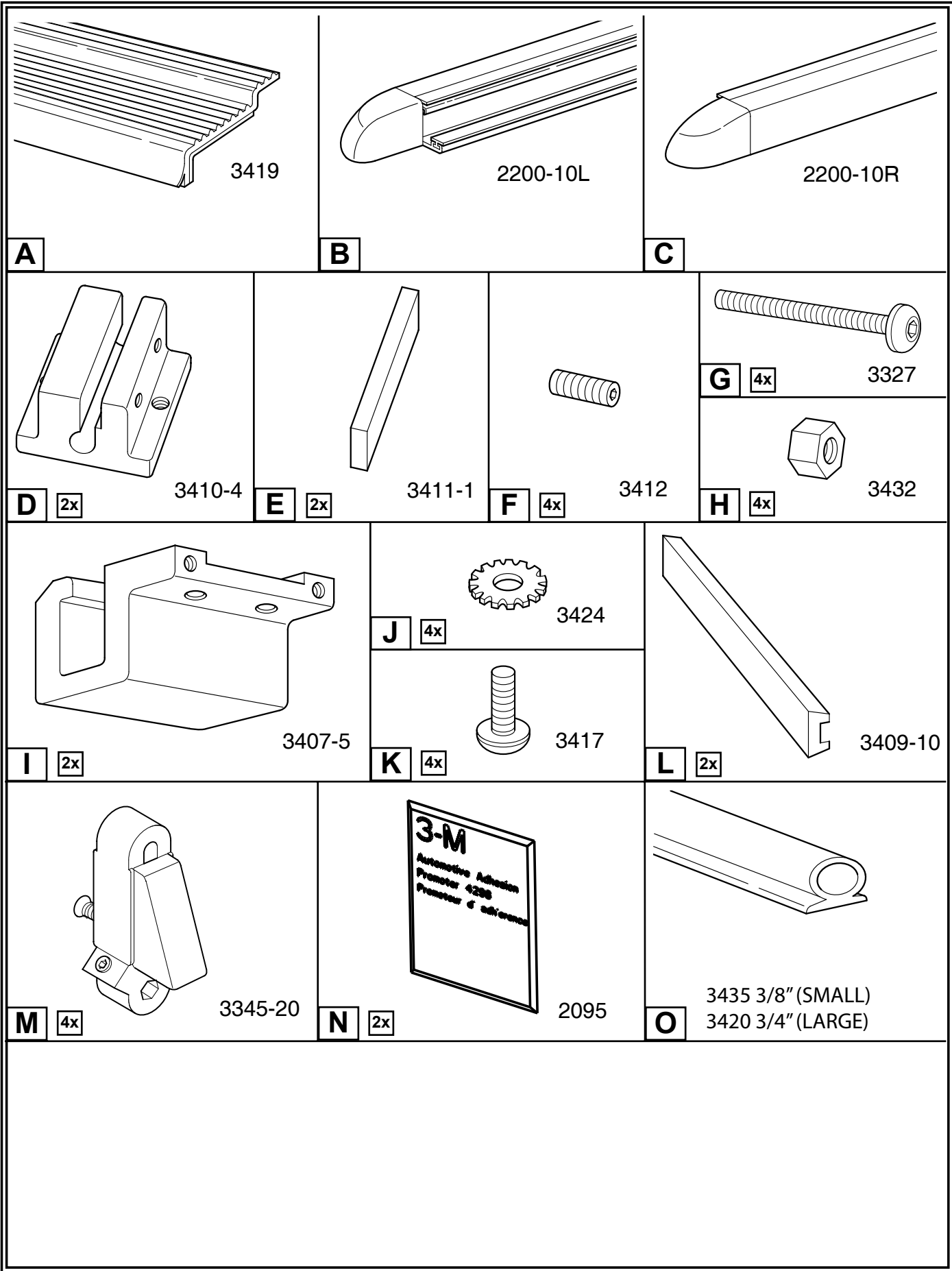


Notes to Installer:

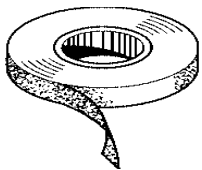
- Install Parts as shown on illustrations.
- Temperature should be no lower than 50° when installing.
- Be sure the truck is setting on a level surface.
- Apply a dab of lock tight to each fastener before use.
- Some trimming of bed liner may be required for proper fit and function.

Notes to customer:

- Record the key number and place in glove box or write it in your owner's manual.
- Refer to the Operation and Care Label located on the underside of the rearmost panel on cover (driver's side).

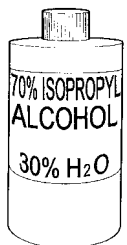


A	3419-70	Latch Strip
B	2200-10L	Driver Side Rail
C	2200-10R	Passenger Side Rail
D	3410-4	Hinge Bracket
E	3411-1	Hinge Bracket Shim
F	3412	#10-32 x 1/2 Set Screw
G	3327	1/4-20 x 2 BHSC
H	3432	1/4-20 Jam Nut
I	3407-5	C-Clamp
J	3424	1/4" External Tooth Lock Washer
K	3417	1/4-20 x 3/4 BHSC
L	3409-1	C-Clamp Shim
M	3345-20	Rod End and Catch Post
N	2095	Adhesion Promoter
O	3435	D-Seal (Small) For Trucks w/ Bed Liner
	3420	D-Seal (Large) For Trucks w/out Bed Liner

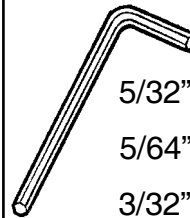
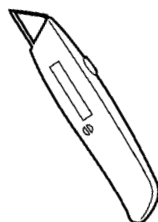


MASKING TAPE

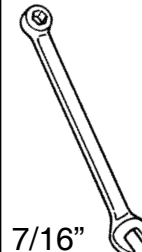
TOOLS REQUIRED



T-40



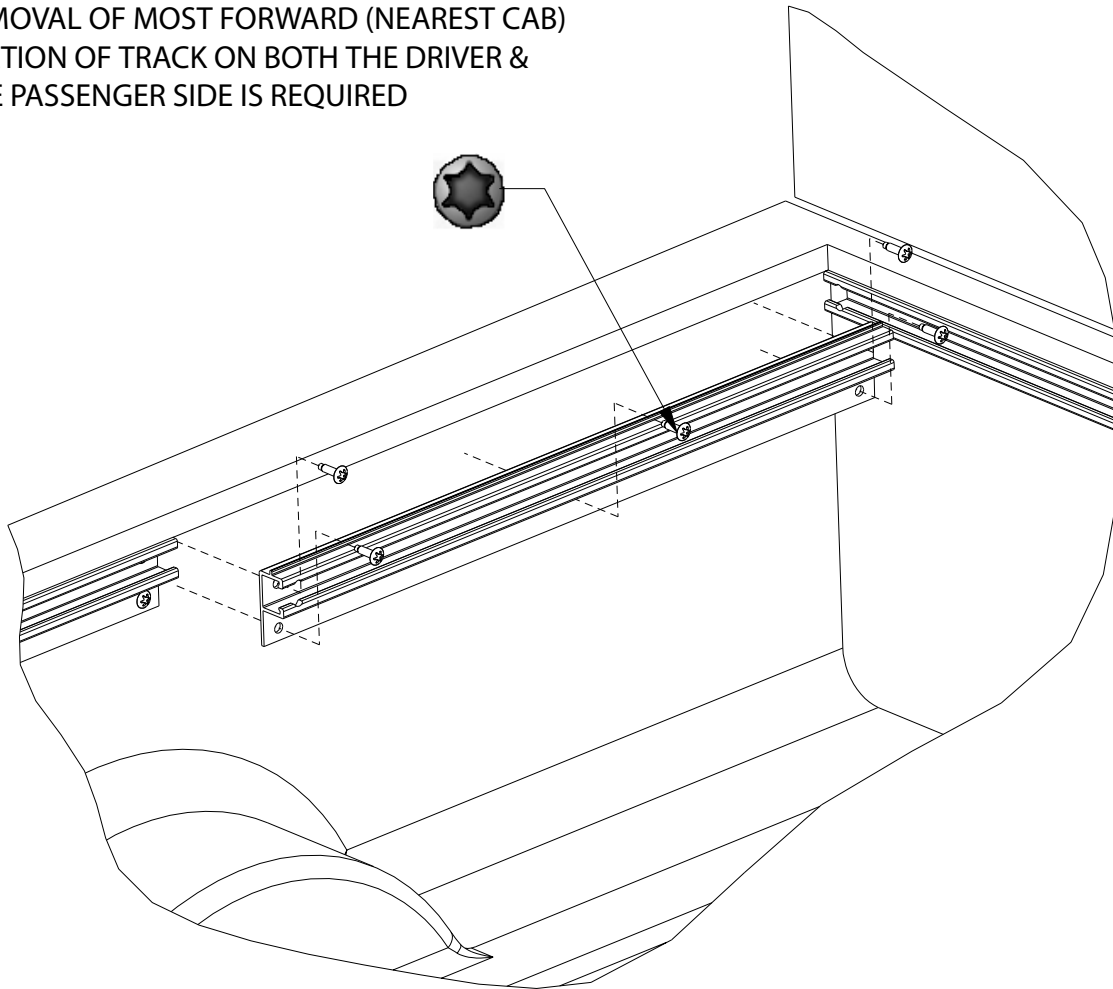
5/32"
5/64"
3/32"

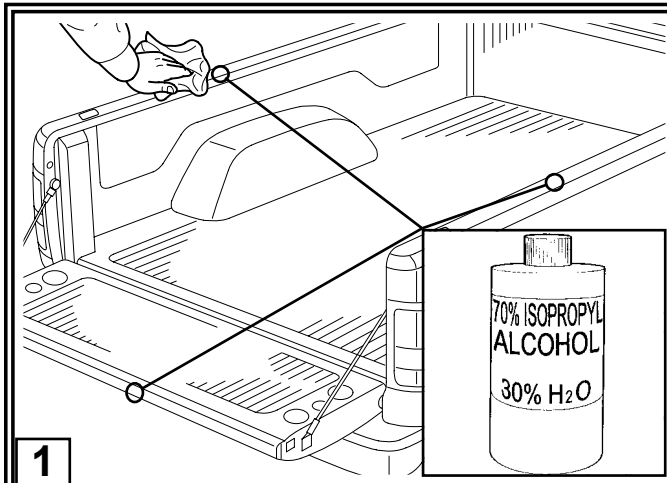


7/16"



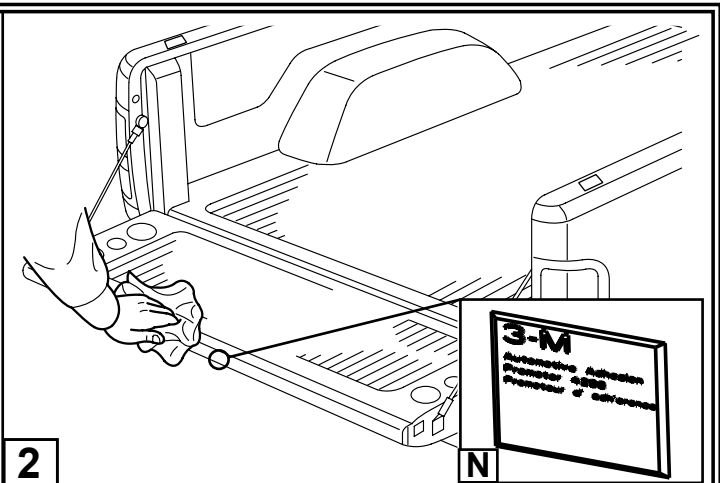
FOR TRUCKS WITH TRACK SYSTEM:
REMOVAL OF MOST FORWARD (NEAREST CAB)
SECTION OF TRACK ON BOTH THE DRIVER &
THE PASSENGER SIDE IS REQUIRED





1

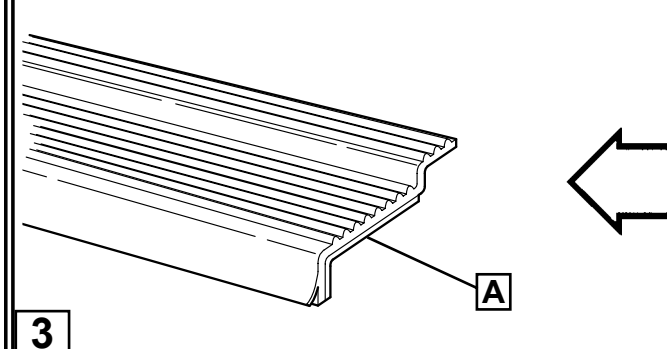
USE LATCH STRIP AS SHOWN FOR TRUCKS EQUIPPED WITH TAILGATE COVER.



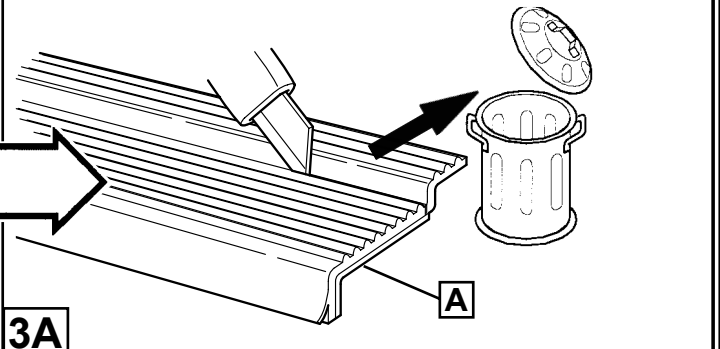
2

TRIM THE LATCH STRIP AS SHOWN FOR TRUCKS WITHOUT TAILGATE COVER.

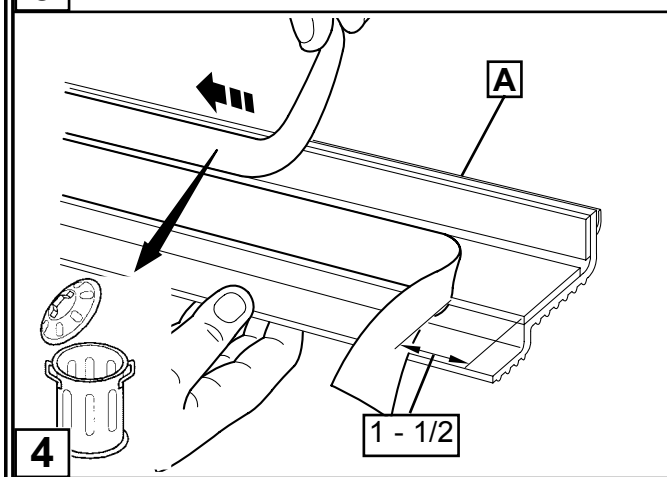
N



3

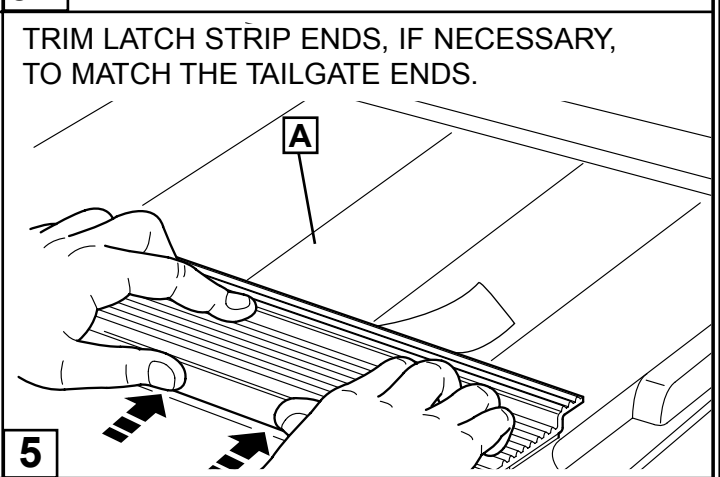


3A



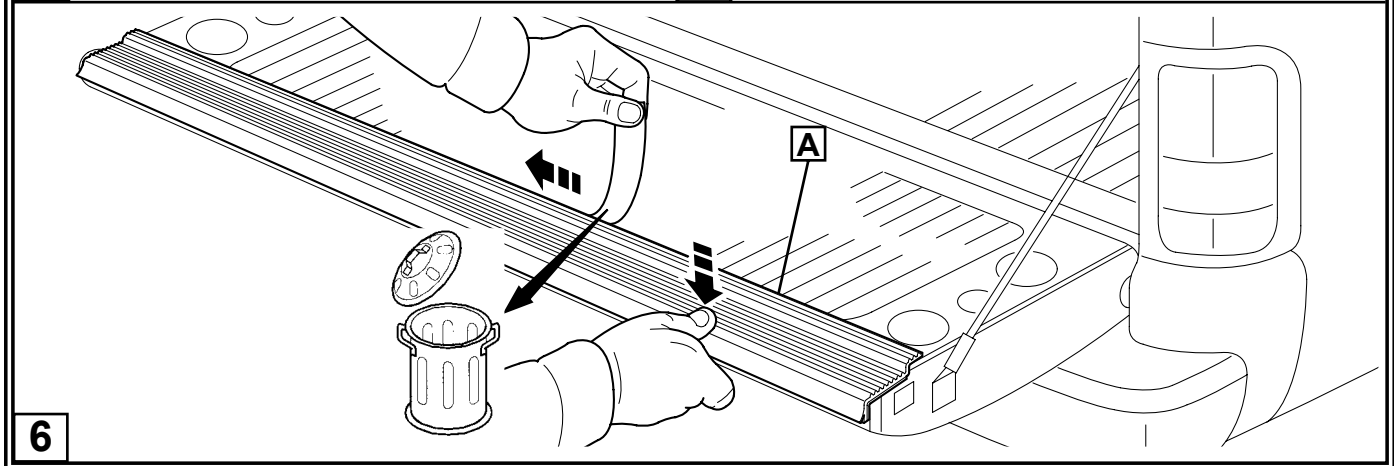
4

1 - 1/2

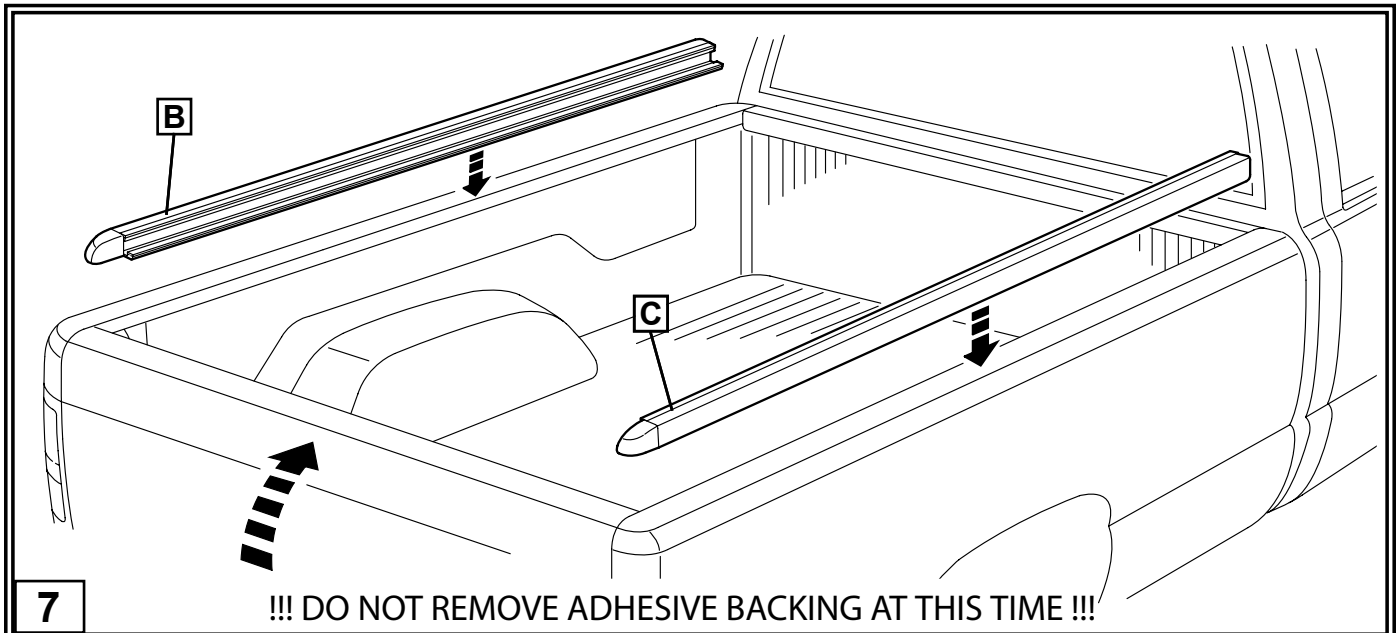


5

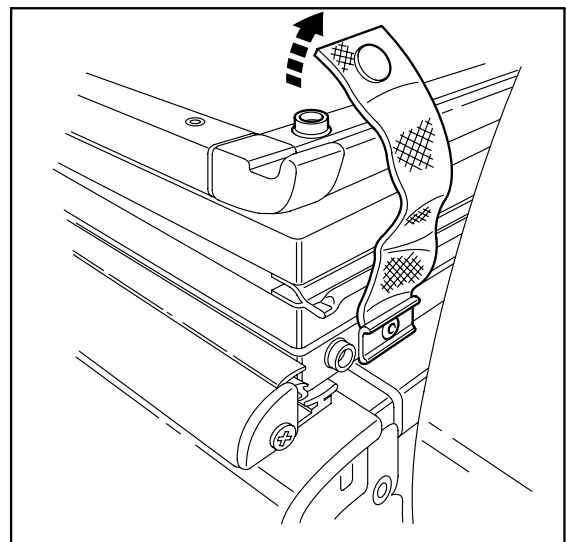
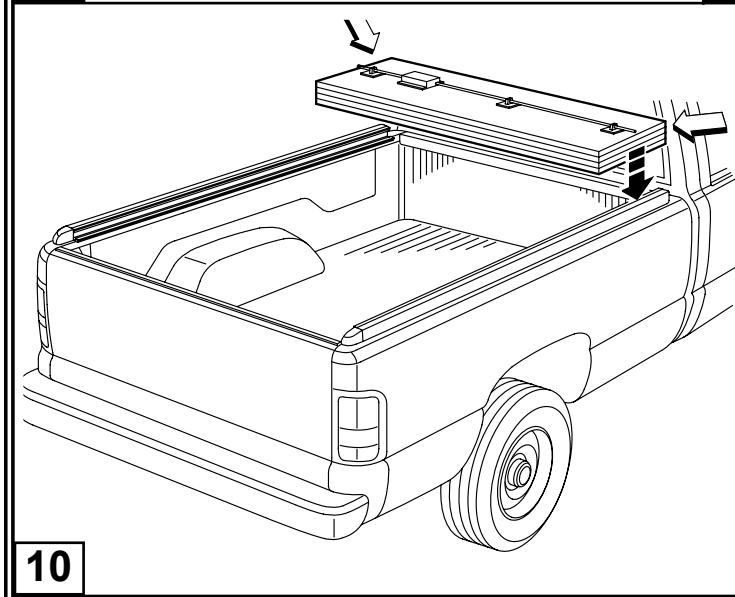
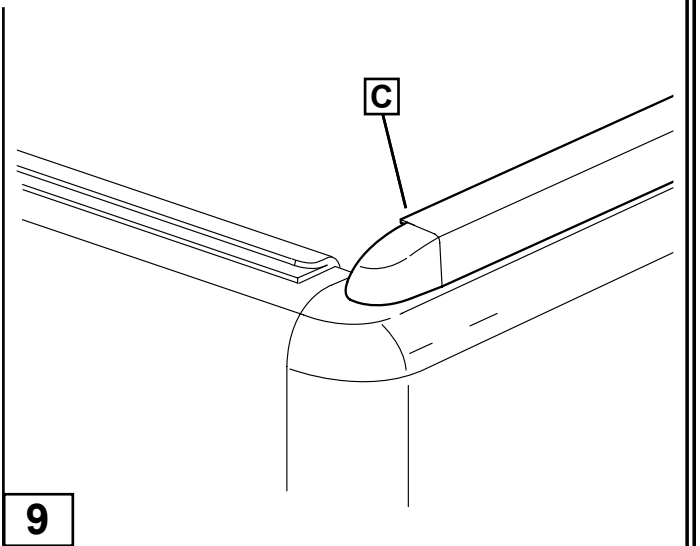
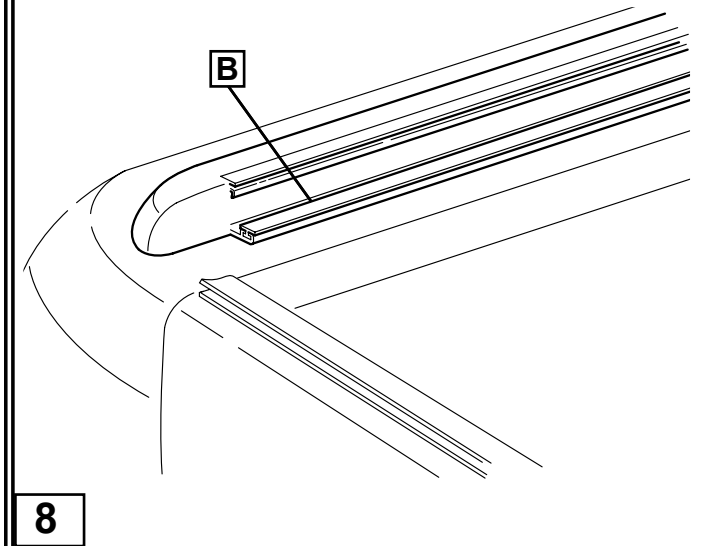
TRIM LATCH STRIP ENDS, IF NECESSARY, TO MATCH THE TAILGATE ENDS.

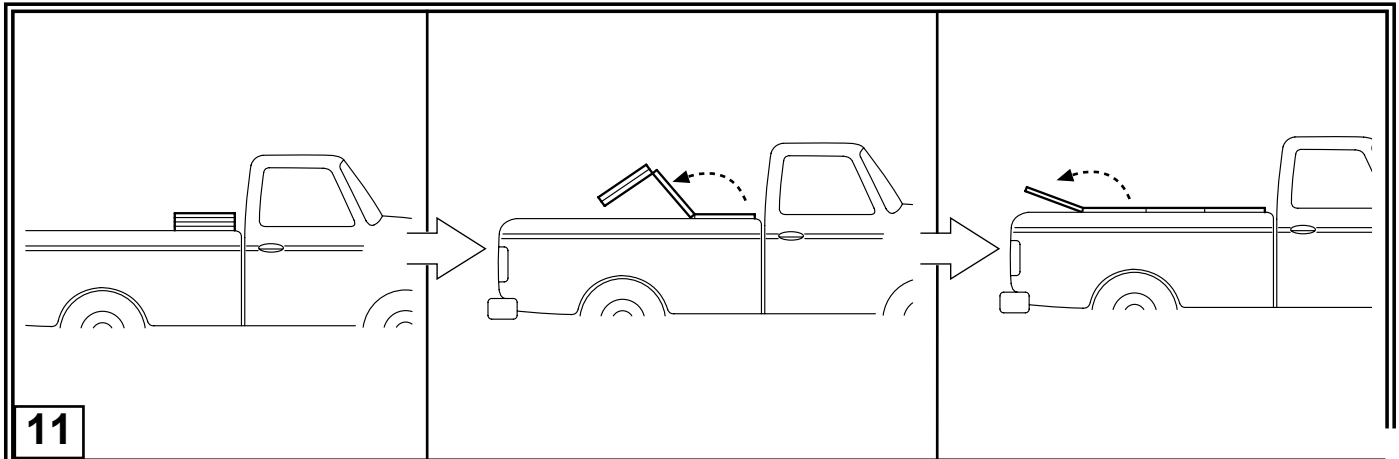


6



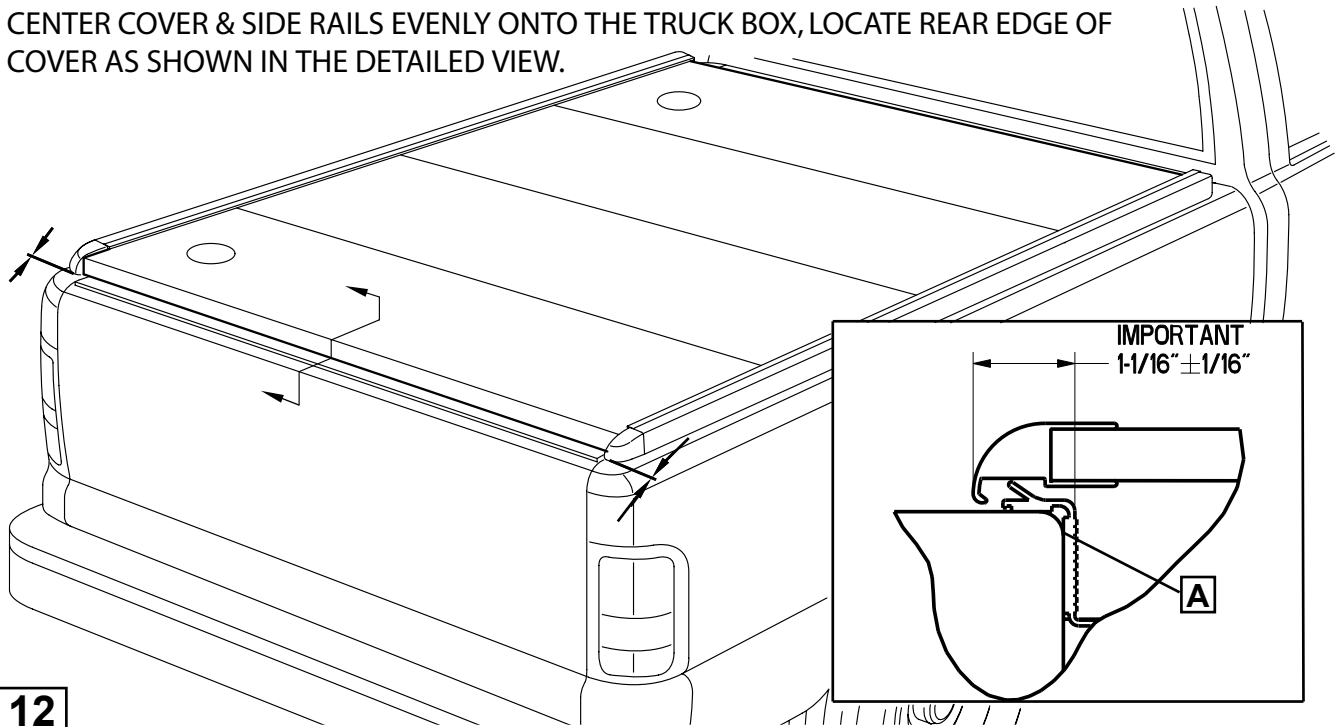
CENTER THE SIDE RAILS EVENLY ON TO THE TRUCK BOX.



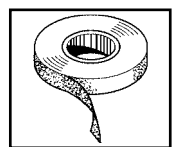


11

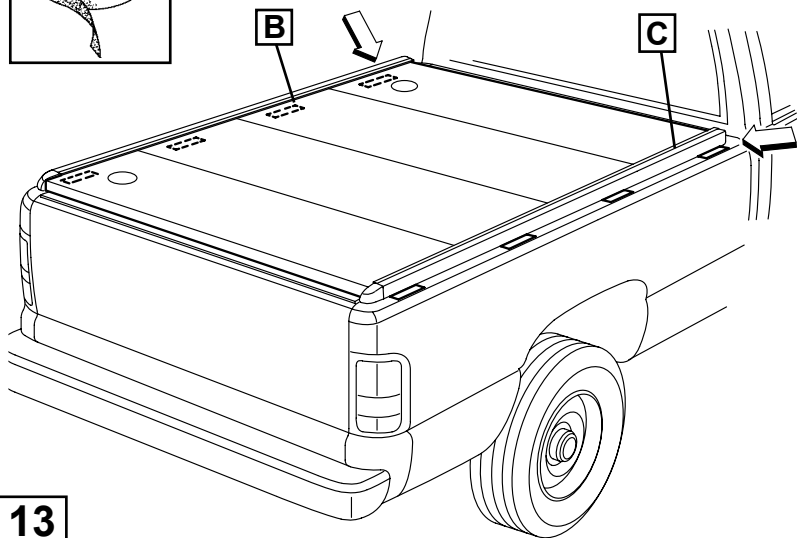
CENTER COVER & SIDE RAILS EVENLY ONTO THE TRUCK BOX, LOCATE REAR EDGE OF COVER AS SHOWN IN THE DETAILED VIEW.



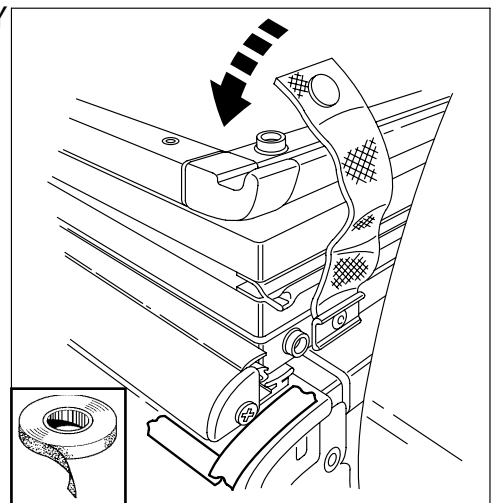
12



USING MASKING TAPE, CAREFULLY & ACCURATELY MARK THE LOCATION OF THE RAILS (B), (C).



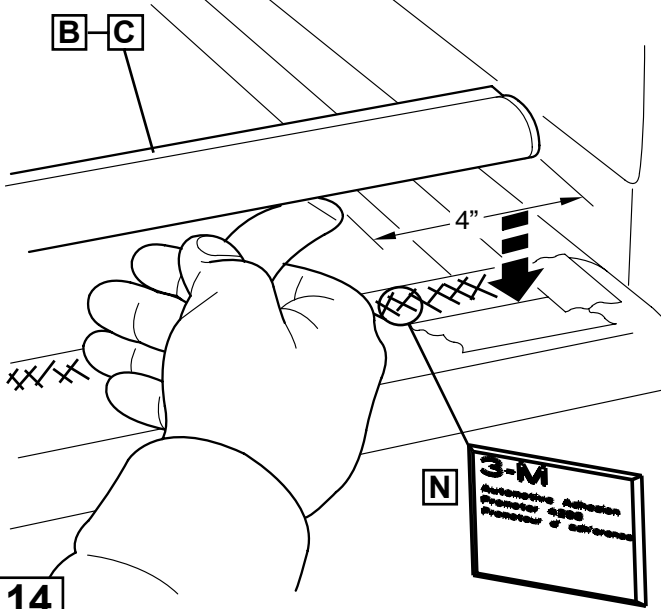
13



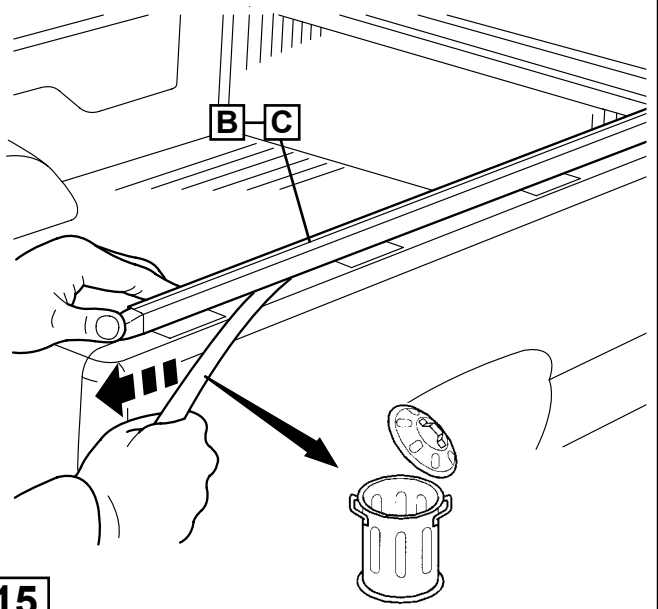
AFTER MARKING RAIL LOCATIONS, FOLD UP AND REMOVE THE COVER.

APPLY ADHESION PROMOTER AS SHOWN & ON BOTH THE PASSENGER AND DRIVERS SIDE.

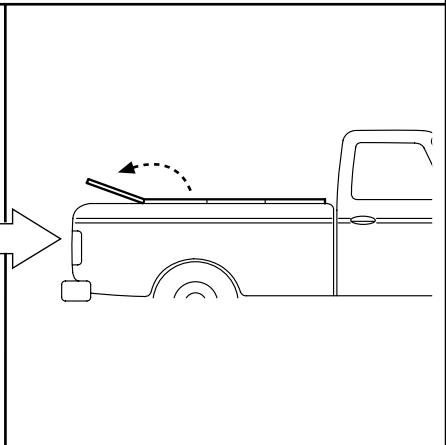
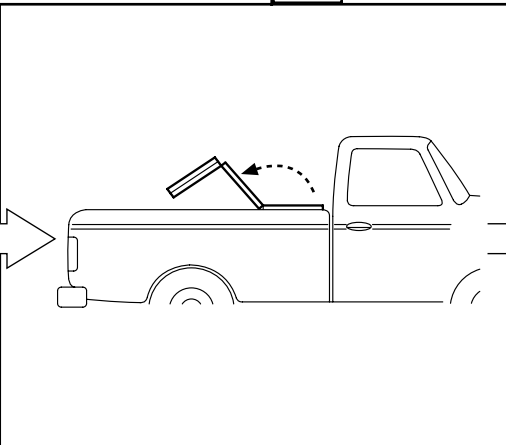
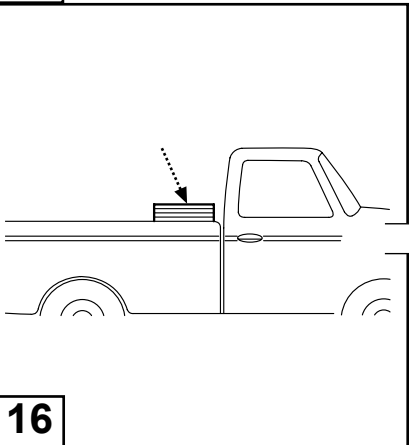
WARNING: RAILS WILL IMMEDIATELY STICK TO TRUCK SURFACE. USE CARE IN LOCATING PROPERLY.



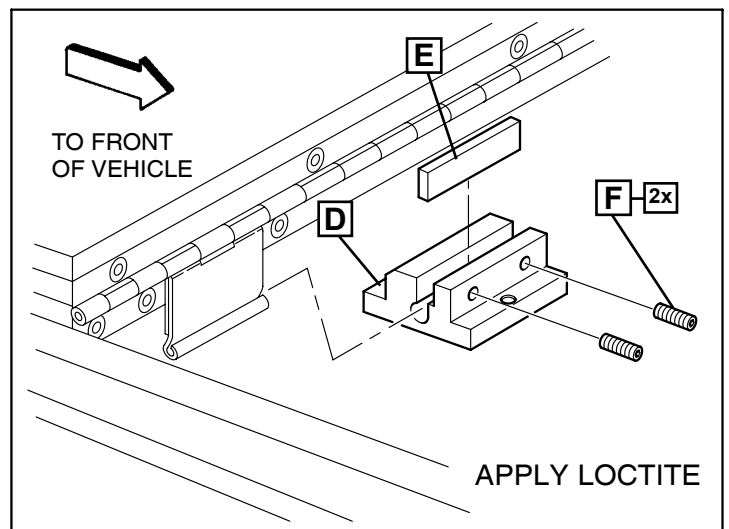
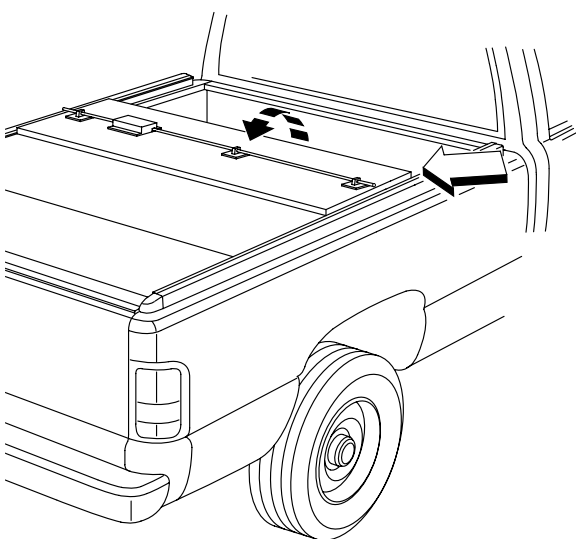
14



15

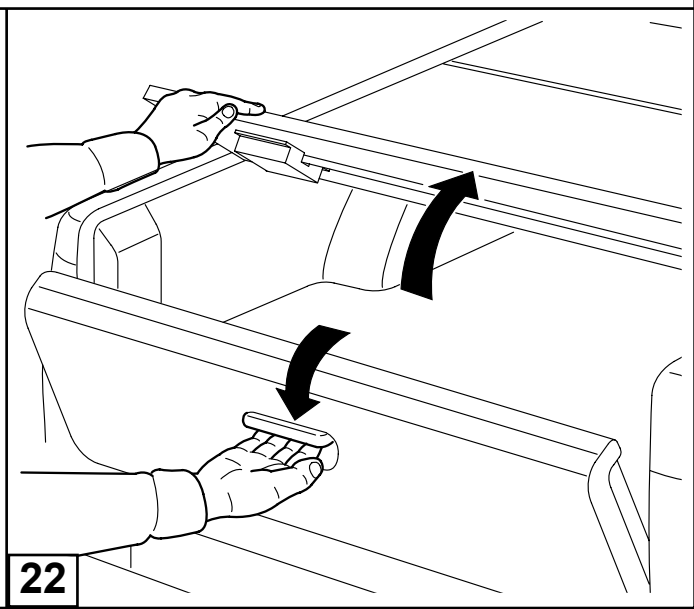
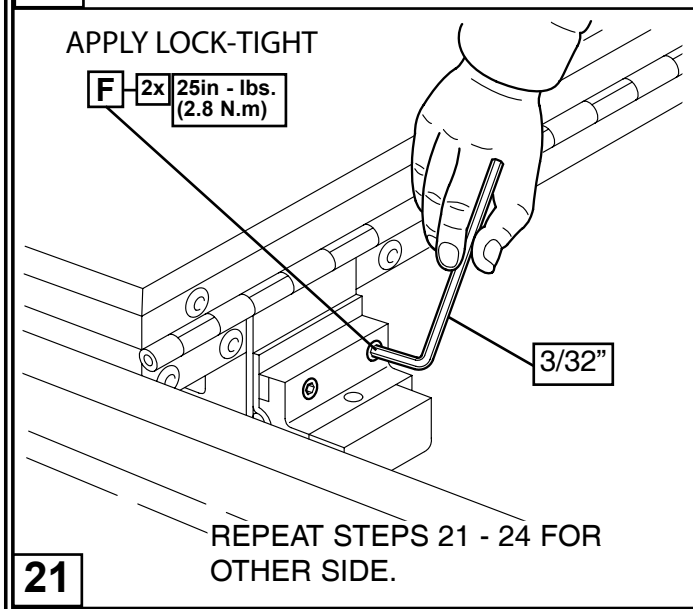
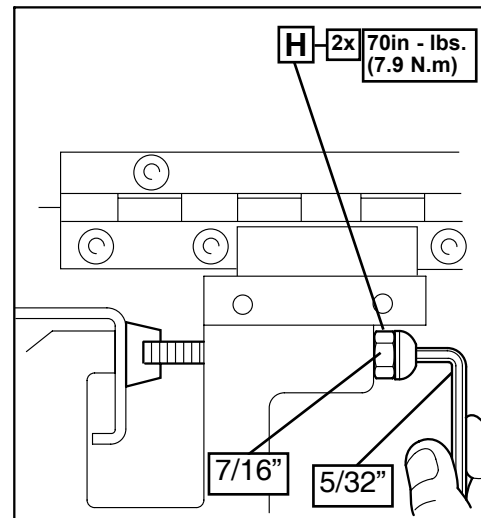
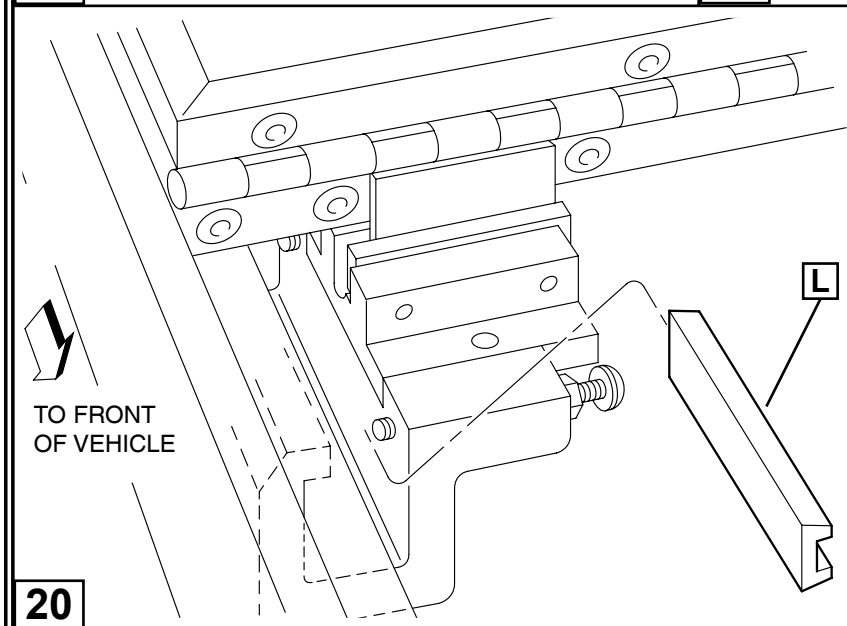
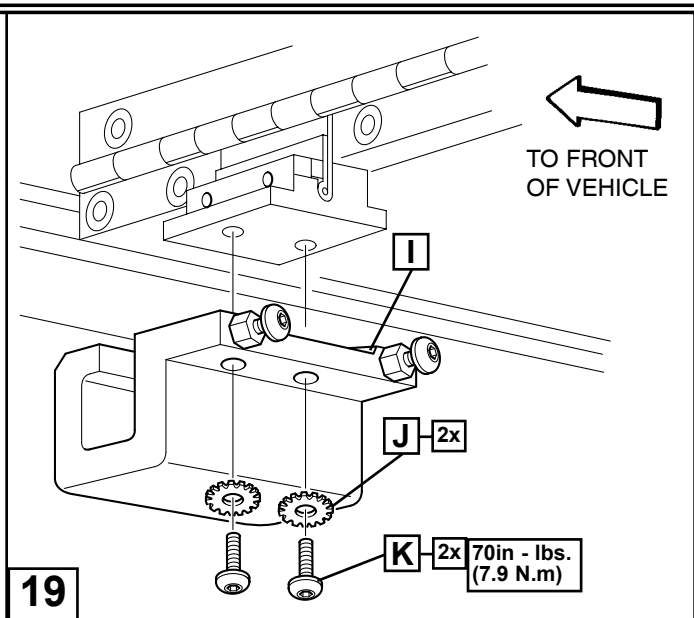
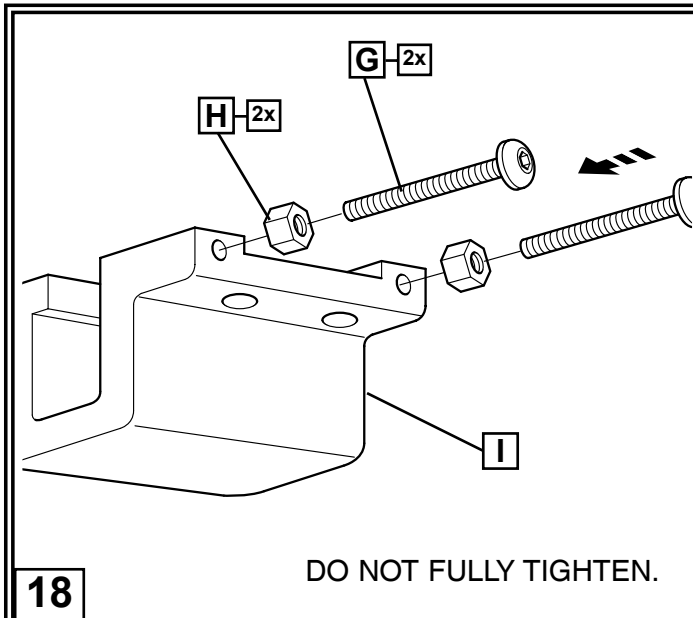


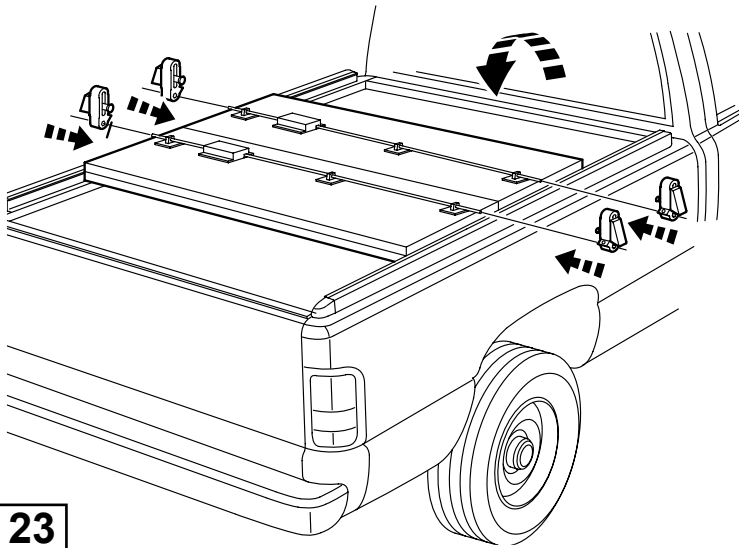
16



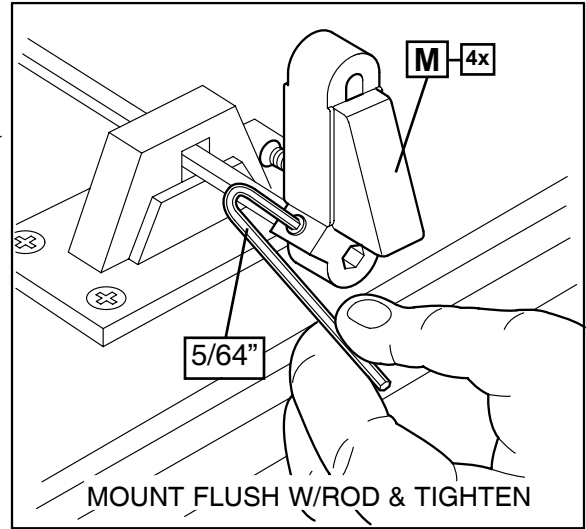
17

DO NOT FULLY TIGHTEN.

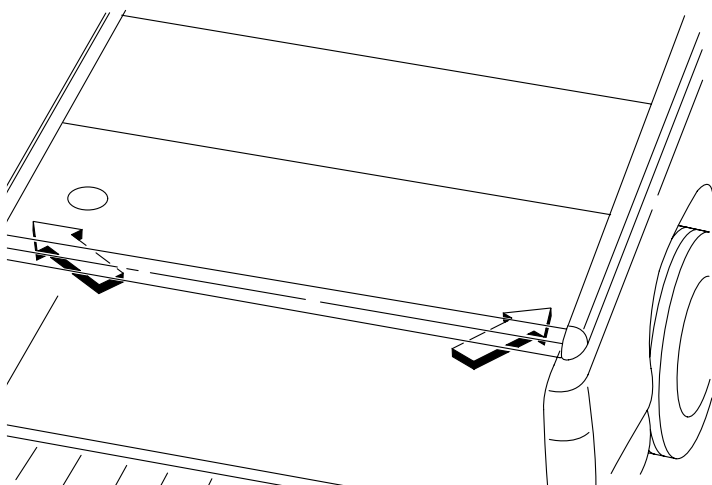




23

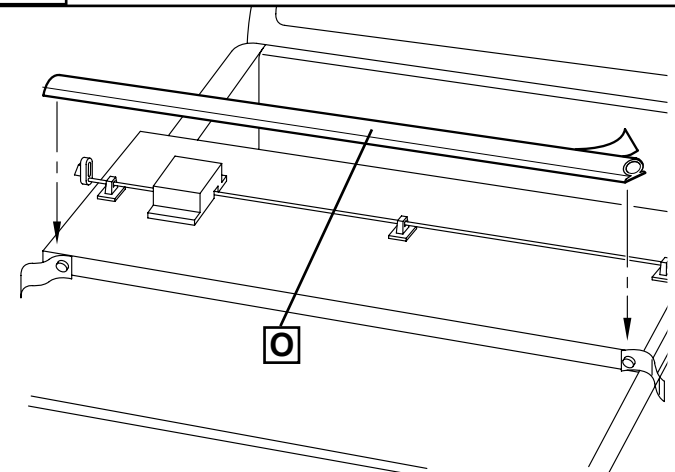
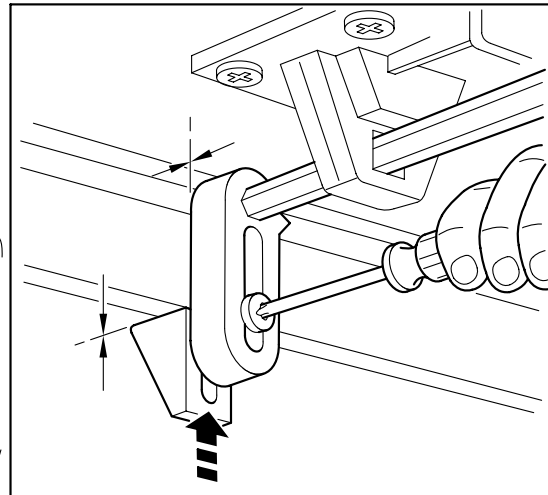


MOUNT FLUSH W/ROD & TIGHTEN



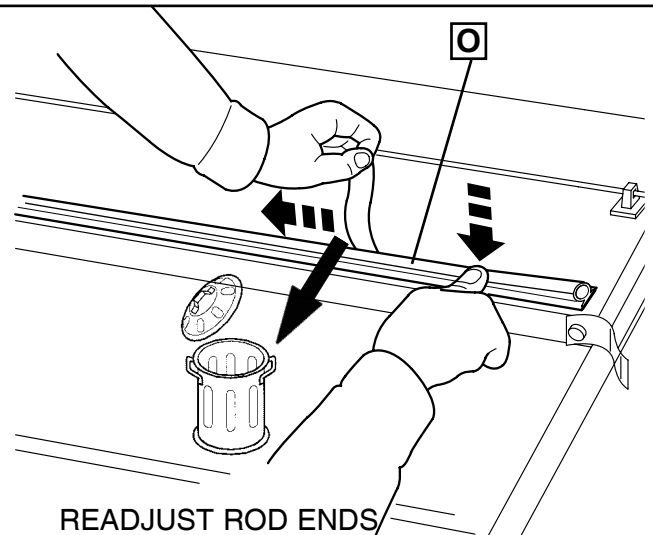
24

POSITION REAR SIDE CLAMPS FLUSH TO TRUCK BOX.



USE LARGE SEAL IF TRUCK HAS NO BED LINER.
USE SMALL SEAL IF TRUCK HAS BED LINER.

25



READJUST ROD ENDS
AS NECESSARY

26