

BikeMount

Bike Carrier for the TracRac System

Installation Guide

SKU 25411

BikeMount is a unique product that allows users to securely mount bicycles to their TracRac system. It mounts to the base rails, or overhead rack crossbars and repositions in seconds. The BikeMount is also designed to mount to the GM factory installed rails/Cargo Management system.

Tools Required: 3/16" Allen wrench.
(For TracRac Base Rail Installation only)

**Extremely quick and
easy mounting**

Included Hardware:

- 1- Bike Mount Bracket
- 2- 3/8"-16 T-Bolts
- 1- Locking Quick Release Bike Skewer*
- 1- 1/2"-13 TracRac Knob
- 2- 3/8"-16 Three Prong Knobs
- 2- .38 x .75 Spring Washers

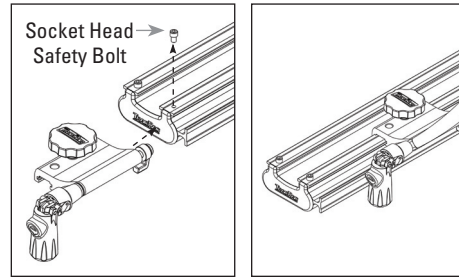
*Locking skewer is intended to deter theft, additional measures should be taken to prevent theft.



TracRac, Inc.

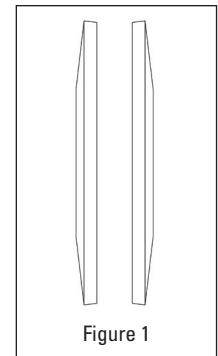
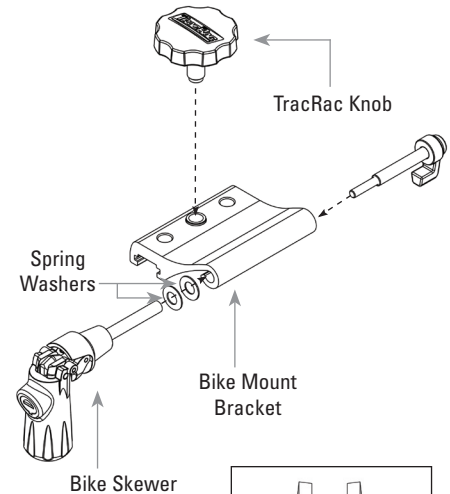
994 Jefferson Street, Fall River, MA 02721
T: 800.501.1587 • F: 508.677.4136
www.tracrac.com

Trac Rac Base Rail Installation

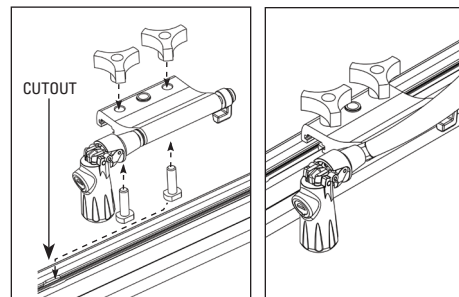


Base Rail Installation

- Remove socket head safety bolt with 3/16" Allen wrench.
- Slide BikeMount onto top inner base rail track and tighten knob when BikeMount is in desired location.
- Reinstall socket head safety bolt.
- Slide spring washer onto locking portion of the BikeMount skewer. (Spring washers should be placed as shown in Figure 1)
- Set bicycle fork squarely onto the BikeMount skewer so that the two spring washers are on the outside of the bicycle fork.
- With lever in the open position, tighten the skewer until the lever closes with resistance.
- Test to see that the bicycle forks are installed securely. If fork can be pulled from the BikeMount, open lever and tighten skewer until bike is fully secured to the Bike Mount.

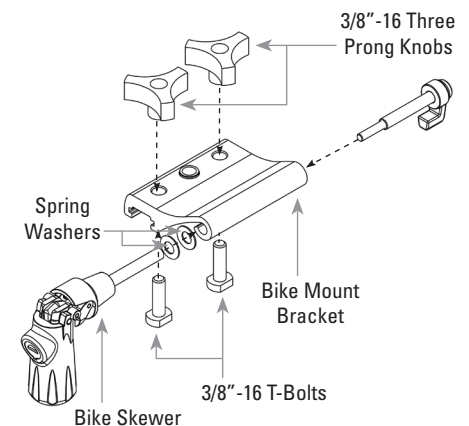


TracRac and GM Overhead Rack Installation



Crossbar Installation

- Insert both T-Bolts into crossbar cutout and move left or right at least 1" away from the cutout to desired location.
- Place BikeMount onto T-Bolts then tighten down using the two three pronged knobs.
- Slide spring washer onto locking portion of the BikeMount skewer. (Spring washers should be placed as shown in Figure 1)
- Set bicycle fork squarely onto the BikeMount skewer so that the two spring washers are on the outside of the bicycle fork.
- With lever in the open position, tighten the skewer until the lever closes with resistance.
- Test to see that the bicycle forks are installed securely. If fork can be pulled from the BikeMount, open lever and tighten skewer until bike is fully secured to the BikeMount.

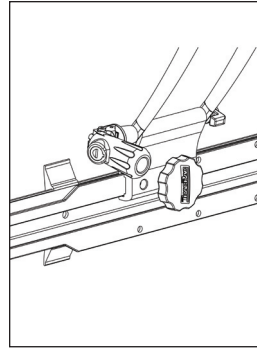
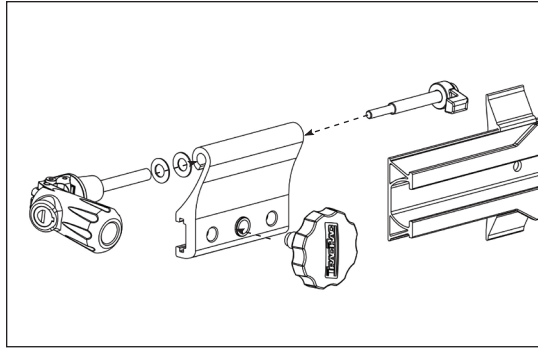


SKU 25411

Feel free to contact us with any questions and/or comments: 800-501-1587 or email us at info@TracRac.com

(Continued on reverse side)

GM Side Rail Configurations



- Slide bike mount onto top rail and tighten knob when BikeMount is in desired location.
- Slide spring washer onto locking portion of the BikeMount skewer. (Spring washers should be placed as shown in Figure 1)
- Set bicycle fork squarely onto the BikeMount skewer so that the two spring washers are on the outside of the bicycle fork.
- With lever in the open position, tighten the skewer until the lever closes with resistance.
- Test to see that the bicycle forks are installed securely. If fork can be pulled from the BikeMount, open lever and tighten skewer until bike is fully secured to the BikeMount.

